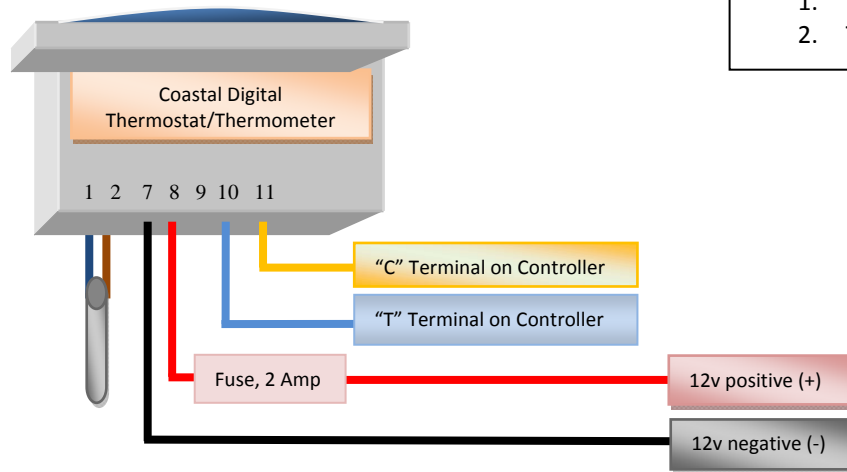


# Coastal Thermostat Wiring Diagrams

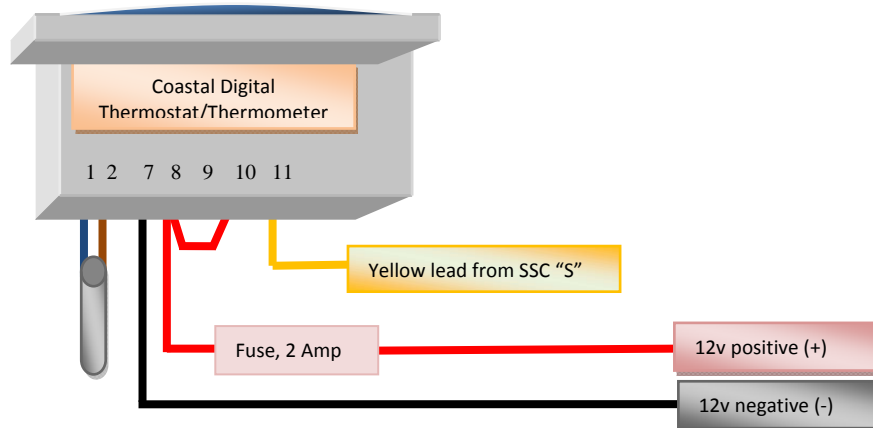
## Standard Installation



### GENERAL NOTES:

1. Use 18 AWG wire or larger
2. Terminal 9 is never used

## Installation with SSC (Smart Speed Control)



## Installation for Spillover Fan

